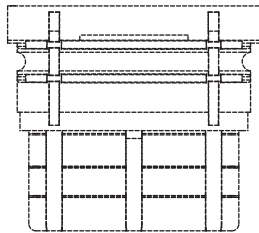
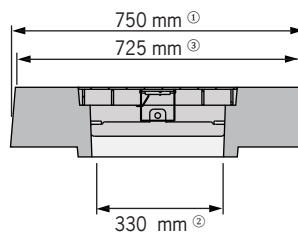
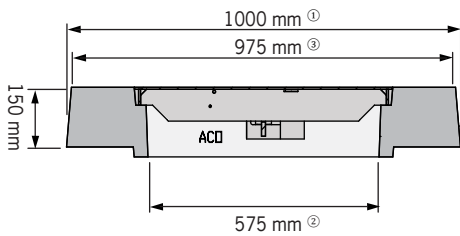
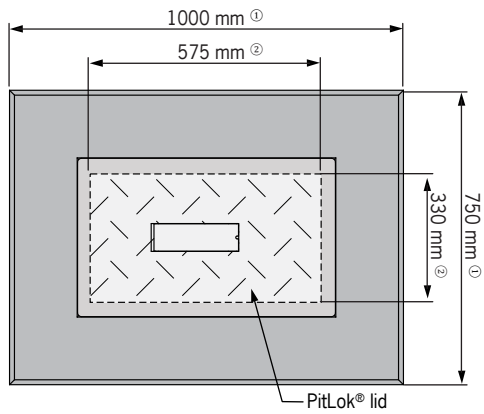
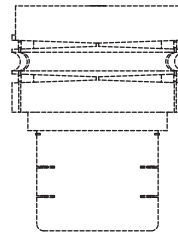


PlinthP5 - ACO PITLOK® SCEC (SL1) - concrete plinth & steel lid



P5 Plastic Pit



ACO Specification Information

Key

- ① Overall dimension at bottom of plinth
- ② Clear working dimension at plinth opening
- ③ Overall dimension at top of plinth

PlinthP5 - ACO PITLOK® SCEC (SL1) - concrete plinth & steel lid

ACO Specification Information

Cable pit and riser

Description	Part No	SEEPL code	Internal clear opening L x W x D (mm)	Total product weight (kg)	Individual lid lifting weight (kg)
P5 - plastic pit	7604299		603 x 353 x 581	10	
PlinthP5 - concrete plinth	142235		575 x 330 x 150	195	
P5 - steel lid (Class B)	142240	PlinthP5-142240		17	16
P5 - steel lid (Class D)	142854	PlinthP5-142854		26	25

Accessories & ancillary items

Description	Part No	Weight kg
Lid Lifting Tool	142232	0.5
Pit expansion tool	142233	4
ID Plates	On Enquiry	N/A
Route Marker Plates	On Enquiry	N/A
SCEC (SL3) Padlocks	On Enquiry	0.5
Swing Arm	On Enquiry	1

Specifications

General

The cable pit shall be ACO PlinthP5 PITLOK® SCEC (SL1) - concrete plinth & steel lid with Class B 80kN / D240kN (AS 3996) steel lids as supplied by ACO Pty Ltd or equal approved.

The plinth is fully tested and assessed on behalf of SCEC. SCEC have subsequently endorsed the plinth & lid system contingent on the use of SCEC (SL3) padlocks to secure the lids

Materials

The plinth shall be manufactured from steel reinforced cement concrete with:

Compressive strength: 40MPa

The nominal clear opening shall be 575mm x 330mm.

Lid

The lid shall be a SCEC (SL1) approved tamper evident locking steel lid. All lids must be load certified to AS 3996 and NATA test certificates must be supplied.

Pit

This plinth and lid are designed for use with the P5 plastic pit - see separate Spec Info for pit details

Installation

The cable pit shall be installed in accordance with the manufacturer's installation instructions and recommendations.

* delete as applicable

ACO Pty Ltd
Australia
 Ph: 1300 765 226
 www.acoaus.com.au
 sales@acoaus.com.au



© August 2020 ACO Pty Ltd. All reasonable care has been taken in compiling the information in this document. All recommendations and suggestions on the use of ACO products are made without guarantee since the conditions of use are beyond the control of the company. It is the customer's responsibility to ensure that each product is fit for its intended purpose and that the actual conditions are suitable. ACO Pty Ltd. pursues a policy of continuous product development and reserves the right to amend specifications without notice.