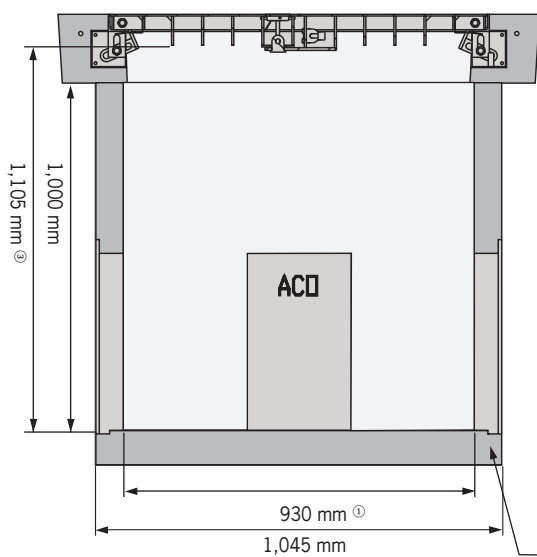
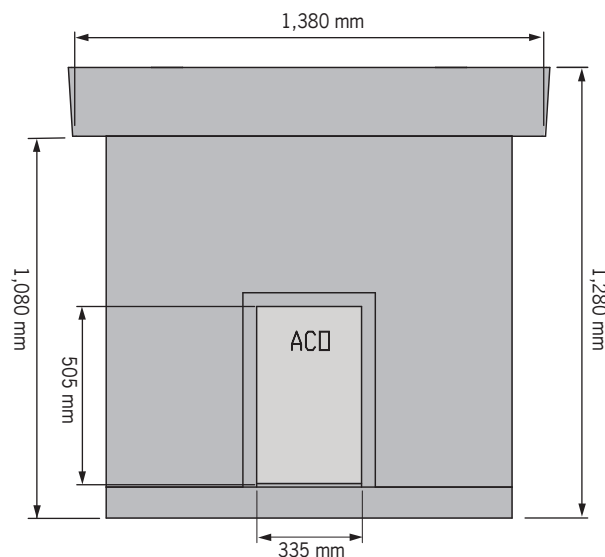


**Cable pit - split body**



Pit supplied in pieces  
- cover, sides, base



**Key**

- ① Clear working dimension at pit base
- ② Clear working dimension at pit opening
- ③ Clear working dimension beneath lid

\* The endorsement applies to the Plinth1000HP-10 which extends to the underlying pit

# J1000HP - ACO PITLOK® SCEC (SL1)\* - concrete pit & steel lid system

ACO Specification Information

## Cable pits and lids

Description	Part No	SEEPL code	Internal clear opening L x W x D (mm)	Total product weight (kg)	Individual lid lifting weight (kg)
J1000HP - split body assembly			990 x 990 x 1105		
J1000HP - split body pit only	142449			863	
Plinth1000HP-10 - hinged lid & plinth (Class B)	142238	Plinth 1000HP-142238		500	52
Plinth1000HP-10 - hinged lid & plinth (Class D)	143095	Plinth 1000HP-143095		520	60

## Accessories & ancillary items

Description	Part No	Weight kg
Lid Lifting Tool	<b>142232</b>	0.5
ID Plates	<b>On Enquiry</b>	N/A
Route Marker Plates	<b>On Enquiry</b>	N/A
SCEC (SL3) Padlocks	<b>On Enquiry</b>	0.5
Swing Arm	<b>On Enquiry</b>	1
SCEC (SL1) approved precast concrete riser	<b>On Enquiry</b>	Variable

## Specifications

### General

The cable pit shall be ACO J1000HP PITLOK® SCEC (SL1) - concrete pit & steel lid - split body with Class B80kN / D210kN (AS 3996) lids as supplied by ACO Pty Ltd. or equal approved.

The plinth and lid system is fully tested and assessed on behalf of SCEC. SCEC have subsequently endorsed the plinth and lid system to SL1 contingent on the use of SCEC (SL3) padlocks to secure the lids.

### Materials

The pit body shall be manufactured from reinforced cement concrete with:

Compressive strength: 40MPa

The nominal clear opening shall be 990mm x 990mm x 1,105mm. Units shall be manufactured with an internal depth of 1,105mm.

### Lid

The plinth shall be covered with a SCEC (SL1) approved tamper evident locking steel lid. All lids must be load certified to AS 3996 and NATA tested certificates must be supplied.

### Installation

The cable pit shall be installed in accordance with the manufacturer's installation instructions and recommendations.

\* The endorsement applies to the Plinth1000HP-10 which extends to the underlying pit

**ACO Pty Ltd**  
**Australia**  
 Ph: 1300 765 226  
 www.acoaus.com.au  
 sales@acoaus.com.au

© August 2020 ACO Pty Ltd. All reasonable care has been taken in compiling the information in this document. All recommendations and suggestions on the use of ACO products are made without guarantee since the conditions of use are beyond the control of the company. It is the customer's responsibility to ensure that each product is fit for its intended purpose and that the actual conditions are suitable. ACO Pty Ltd. pursues a policy of continuous product development and reserves the right to amend specifications without notice.

