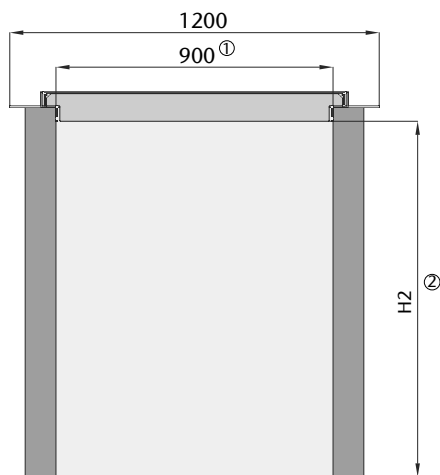
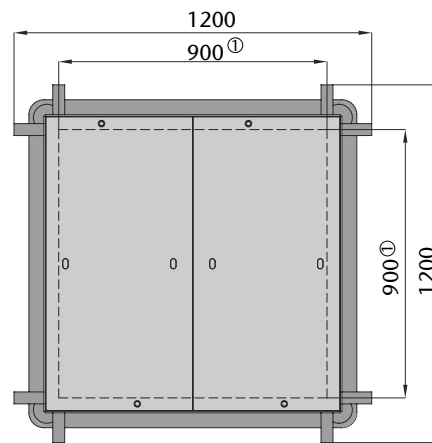
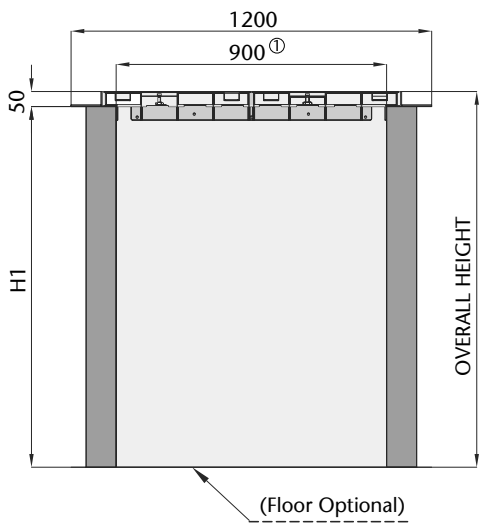


**ACO EzyBrixx® - 900mm x 900mm – twin walled polypropylene cable pit**



| H1 (mm) | H2 (mm) | OVERALL HEIGHT (mm) |
|---------|---------|---------------------|
| 900     | 855     | 950                 |
| 1050    | 1005    | 1100                |
| 1200    | 1155    | 1250                |

**Key**

1. Clear working dimension at pit opening.
2. Clear working dimension beneath lid components.
3. All dimensions are in mm

**Parts Table**

| <b>Enclosures/Lids</b>  |                 |                    |
|---|-----------------|--------------------|
| <b>Descriptions/dimensions</b>  | <b>Part No.</b> | <b>Weight (kg)</b> |
| EzyBrixx 900mm x 900mm x (900mm deep) pit                             | 142530          | 50                 |
| EzyBrixx 900mm x 900mm x (900mm deep) pit with base                   | 142648          | 55                 |
| EzyBrixx 900mm x 900mm x (1050mm deep) pit                            | 142606          | 58                 |
| EzyBrixx 900mm x 900mm x (1050mm deep) pit with base                  | 142649          | 63                 |
| EzyBrixx 900mm x 900mm x (1200mm deep) pit                            | 142531          | 66                 |
| EzyBrixx 900mm x 900mm x (1200mm deep) pit with base                  | 142650          | 71                 |
| EzyBrixx 900mm x 900mm (150mm deep) riser (supplied loose)            | 142583          | 10                 |
| EzyBrixx 900mm x 900mm steel (single part) bolt locking lid - Class B | 142576          | 93                 |
| EzyBrixx 900mm x 900mm steel (single part) bolt locking lid - Class D | 142494          | 105                |
| EzyBrixx Access Cover - 900 x 900 Class B Tilemate infill             | 81645           | 38                 |
| EzyBrixx Access Cover - 900 x 900 Class B Pavermate® infill           | 81992           | 36                 |
| EzyBrixx Access Cover - 900 x 900 Class B Rhinocast® infill           | 85093           | 114                |
| EzyBrixx Access Cover - 900 x 900 Class D Rhinocast® infill           | 89093           | 199                |
| EzyBrixx Access Cover - 900 x 900 Class B Rhinocast® Solid Top        | 89953           | 149                |
| EzyBrixx Access Cover - 900 x 900 Class D Rhinocast® Solid Top        | 89955           | 284                |

## ACO CABLEMATE

### ACO EzyBrixx® - 900mm x 900mm – twin walled polypropylene cable pit

#### Accessories

| Descriptions   | Part No. |
|--|----------|
| EzyBrixx Cable support (each)                            | 142567   |
| EzyBrixx Ladder  | POA      |
| Universal Lifting Key                                    | 84306    |
| Rhinocast®: Lifting key - Short handle (pair)            | 84654    |
| Rhinocast®: Lifting key - Long handle (pair)             | 84854    |
| 4m eye to eye lifting slings (set of 4)                  | 142565   |
| Holesaw EzyBrixx: tungsten grit 30mm system - Short Hex  | 142760   |
| Holesaw EzyBrixx: tungsten grit 65mm system - Short Hex  | 142761   |
| Holesaw EzyBrixx: tungsten grit 70mm system - Short Hex  | 142762   |
| Holesaw EzyBrixx: tungsten grit 90mm system - Short Hex  | 142763   |
| Holesaw EzyBrixx: tungsten grit 120mm system - Short Hex | 142764   |
| Holesaw EzyBrixx: tungsten grit 160mm system - Short Hex | 142765   |
| Holesaw EzyBrixx: tungsten grit 30mm system -Short SDS   | 142766   |
| Holesaw EzyBrixx: tungsten grit 65mm system -Short SDS   | 142767   |
| Holesaw EzyBrixx: tungsten grit 70mm system - Short SDS  | 142768   |
| Holesaw EzyBrixx: tungsten grit 90mm system - Short SDS  | 142769   |
| Holesaw EzyBrixx: tungsten grit 120mm system - Short SDS | 142770   |
| Holesaw EzyBrixx: tungsten grit 160mm system - Short SDS | 142771   |
| Holesaw EzyBrixx: pilot key - 200mm long                 | 142772   |
| Holesaw EzyBrixx: pilot key - 40mm long drift key        | 142773   |
| Short SDS adaptor  | 142774   |
| Short HEX adaptor  | 142775   |
| Long HEX adaptor   | 142776   |
| Long SDS adaptor   | 142777   |
| Universal Plug   | 84625    |

#### Specifications

The cable pit shall be ACO EzyBrixx® - 900mm x 900mm (clear opening)

- with/without\* base
- with/without\* 150mm riser
- complete with a bolt lockable Class B/D\* steel lid/access cover\*\* (AS 3996)

The cable pit shall have an overall depth of 900mm/1050mm/1200mm\*or increments created by the 150mm riser, specify\_\_\_\_\_

The pit body shall be manufactured from modular rigid (twin wall) polypropylene components comprising an interlocking wedge system configured in 150mm high stacking units.

The pit is to be supplied assembled and installed in accordance with the manufacturer's installations.

\* delete as applicable

\*\* For access covers:

- specify: solid top or infill type
- specify: locking or non-locking
- Specify Pavermate® or Tilemate (Class B) or Rhinocast® (Class B, D) – visit <https://www.acoaccess.com.au/products/> for more info.
- Request manufacturer for a rebate drawing to determine levels

ACO Pty Ltd

Australia

Ph: 1300 765 226

[www.acoaus.com.au](http://www.acoaus.com.au)

[sales@acoaus.com.au](mailto:sales@acoaus.com.au)

©2019 ACO Pty Ltd. All reasonable care has been taken in compiling the information in this document. All recommendations and suggestions on the use of ACO products are made without guarantee since the conditions of use are beyond the control of the company. It is the customer's responsibility to ensure that each product is fit for its intended purpose and that the actual conditions are suitable. ACO Pty Ltd. pursues a policy of continuous product development and reserves the right to amend specifications without notice.

