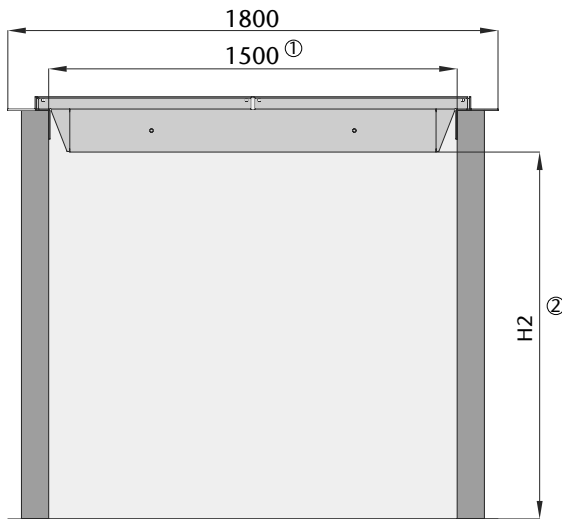
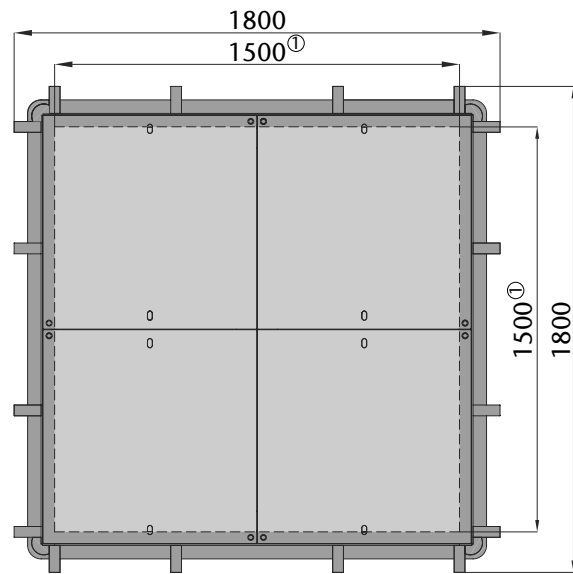
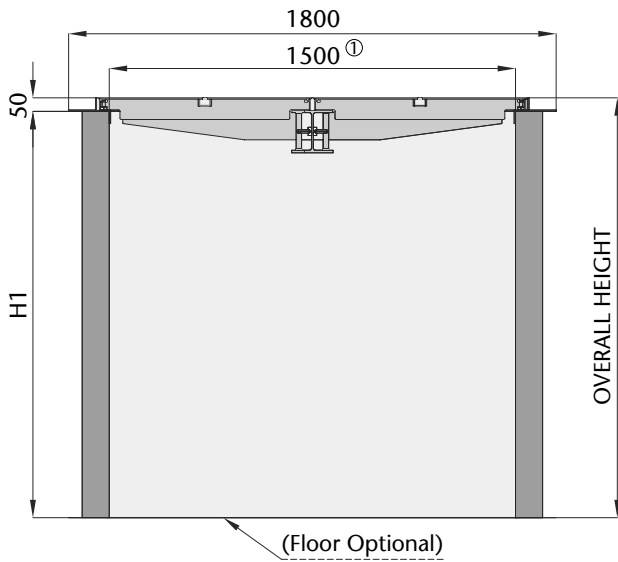


ACO EzyBrixx® - 1500mm x 1500mm – twin walled polypropylene cable pit



H1 (mm)	H2 (mm)	OVERALL HEIGHT (mm)
900	747	950
1050	897	1100
1200	1047	1250
1350	1197	1400
1500	1347	1550

**Key**

1. Clear working dimension at pit opening.
2. Clear working dimension beneath lid components.
3. All dimensions are in mm

**Parts Table**

Enclosures/Lids		
Descriptions/dimensions	Part No.	Weight (kg)
EzyBrixx 1500mm x 1500mm (900mm deep) pit	142538	106
EzyBrixx 1500mm x 1500mm (1050mm deep) pit	142540	119
EzyBrixx 1500mm x 1500mm (1200mm deep) pit	142542	132
EzyBrixx 1500mm x 1500mm (1350mm deep) pit	142612	146
EzyBrixx 1500mm x 1500mm (1500mm deep) pit	142614	228
EzyBrixx 1500mm x 1500mm base (supplied loose)	142457	18.6
EzyBrixx 1500mm x 1500mm steel (4 part/beam) bolt locking lids - Class B	142578	250
EzyBrixx 1500mm x 1500mm steel (4 part/beam) bolt locking lids - Class D	142550	293

ACO Specification Information

## ACO CABLEMATE

### ACO EzyBrixx® - 1500mm x 1500mm – twin walled polypropylene cable pit

#### Accessories

Descriptions	Part No.
EzyBrixx Cable support (each)	142567
EzyBrixx Ladder	POA
Universal Lifting Key	84306
4m eye to eye lifting slings (set of 4)	142565
Holesaw EzyBrixx: tungsten grit 30mm system - Short Hex	142760
Holesaw EzyBrixx: tungsten grit 65mm system - Short Hex	142761
Holesaw EzyBrixx: tungsten grit 70mm system - Short Hex	142762
Holesaw EzyBrixx: tungsten grit 90mm system - Short Hex	142763
Holesaw EzyBrixx: tungsten grit 120mm system - Short Hex	142764
Holesaw EzyBrixx: tungsten grit 160mm system - Short Hex	142765
Holesaw EzyBrixx: tungsten grit 30mm system -Short SDS	142766
Holesaw EzyBrixx: tungsten grit 65mm system -Short SDS	142767
Holesaw EzyBrixx: tungsten grit 70mm system - Short SDS	142768
Holesaw EzyBrixx: tungsten grit 90mm system - Short SDS	142769
Holesaw EzyBrixx: tungsten grit 120mm system - Short SDS	142770
Holesaw EzyBrixx: tungsten grit 160mm system - Short SDS	142771
Holesaw EzyBrixx: pilot key - 200mm long	142772
Holesaw EzyBrixx: pilot key - 40mm long drift key	142773
Short SDS adaptor	142774
Short HEX adaptor	142775
Long HEX adaptor	142776
Long SDS adaptor	142777
Universal Plug	84625

#### Specifications

The cable pit shall be ACO EzyBrixx® - 1500mm x 1500mm (clear opening)

- with/without\* base
- complete with a bolt lockable Class B/D\* steel lid (AS 3996)

The cable pit shall have an overall depth of 900mm/1050mm/1200mm/1350mm/1500mm\*

The pit body shall be manufactured from modular rigid (twin wall) polypropylene components comprising an interlocking wedge system configured in 150mm high stacking units.

The pit is to be supplied assembled and installed in accordance with the manufacturer's installations.

\* delete as applicable

ACO Specification Information

ACO Pty Ltd

Australia

Ph: 1300 765 226

[www.acoaus.com.au](http://www.acoaus.com.au)

[sales@acoaus.com.au](mailto:sales@acoaus.com.au)

©2019 ACO Pty Ltd. All reasonable care has been taken in compiling the information in this document. All recommendations and suggestions on the use of ACO products are made without guarantee since the conditions of use are beyond the control of the company. It is the customer's responsibility to ensure that each product is fit for its intended purpose and that the actual conditions are suitable. ACO Pty Ltd. pursues a policy of continuous product development and reserves the right to amend specifications without notice.

**SPEC INFO**  
**ACO**