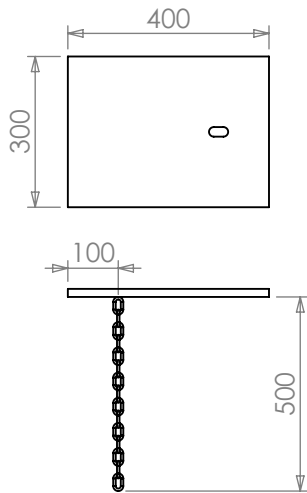
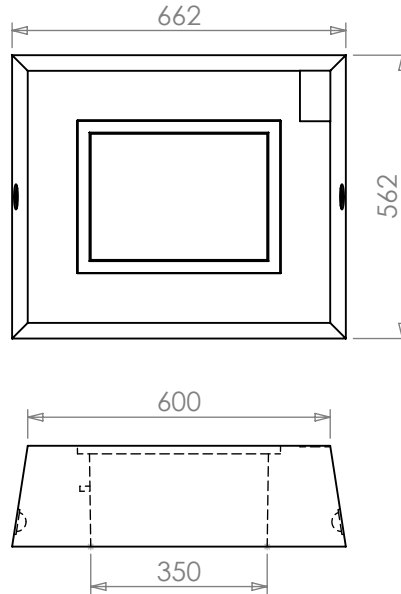


# SHALLOW SIT PIT WITH DEEP COLLAR

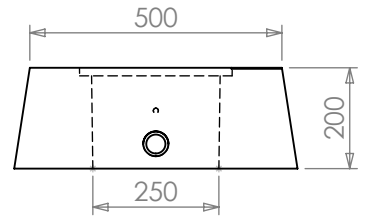
## LID WITH CHAIN



## DEEP SIT PIT COLLAR

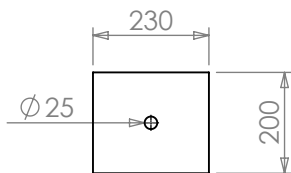


DEEP SIT PIT COLLAR &  
LID ASSEMBLED  
PART NUMBER: 142958

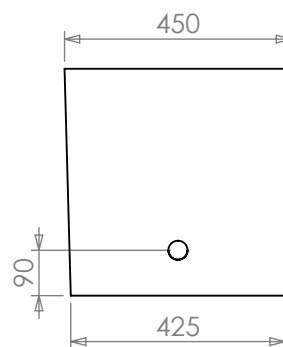
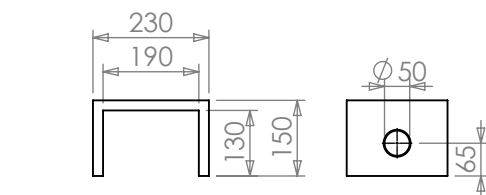
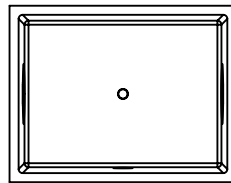


## SUPPORT STAND

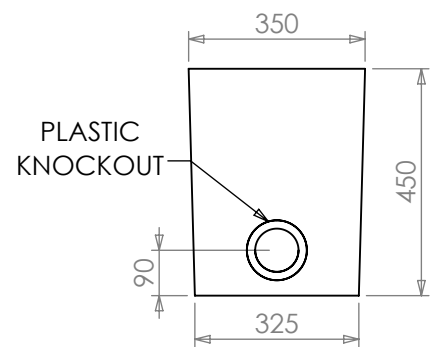
PART NUMBER: 142319



## SHALLOW SIT PIT



PART NUMBER: 142320



©2020 COPYRIGHT ACO PTY LTD.

# SALES ILLUSTRATION



REF. No.  
**20-02**

REVISION:  
CHK'D

JS

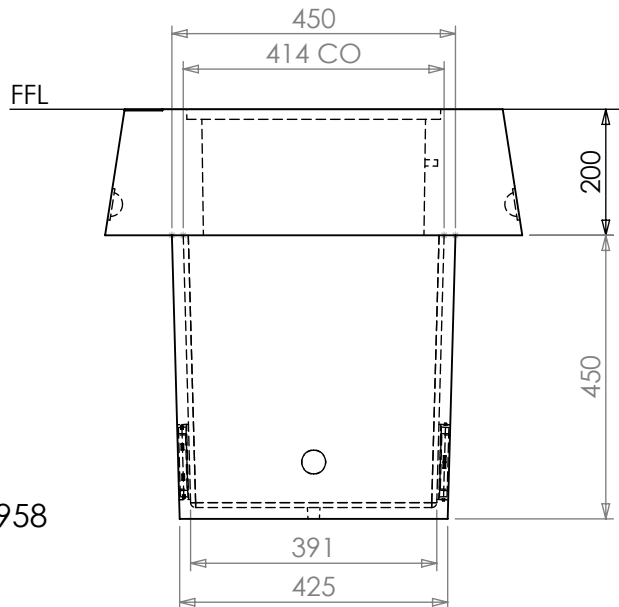
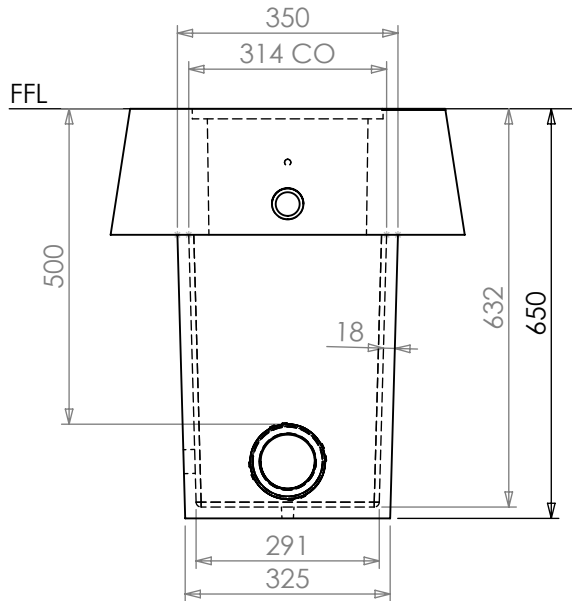
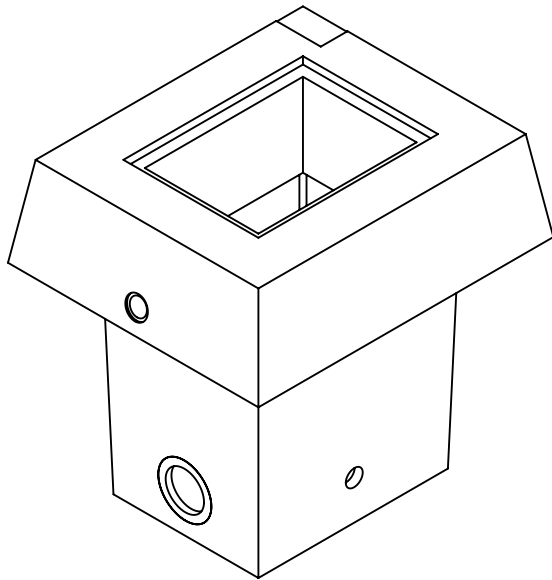
**ACO Pty Ltd**

134-140 Old Bathurst Road, Emu Plains NSW 2750  
Tel: +61 2 4747 4000, Fax: +61 2 4747 4040, Website: [www.acoaus.com.au](http://www.acoaus.com.au)

All reasonable care has been taken in compiling the information in this illustration. All recommendations and suggestions on the use of ACO products are made without guarantee since the conditions of use are beyond the control of the company. It is the customer's responsibility to ensure that each product is fit for its intended purpose and that the actual conditions of use are suitable. ACO pursues a policy of continuous product development and reserves the right to amend specifications without notice.

This illustration is for ACO sales purposes only. Any other use of this illustration is prohibited by ACO.

# SHALLOW SIT PIT WITH DEEP COLLAR



ASSEMBLED PART NUMBER: **143068**

Kit includes:

- SIT Pit (450 deep) - 142320
- SIT Pit Deep Collar & Lid Assembled - 142958
- SIT Pit Support Stand - 142319

©2020 COPYRIGHT ACO PTY LTD.

## SALES ILLUSTRATION



REF. No.  
**20-02**

REVISION:  
CHK'D

JS

**ACO Pty Ltd**

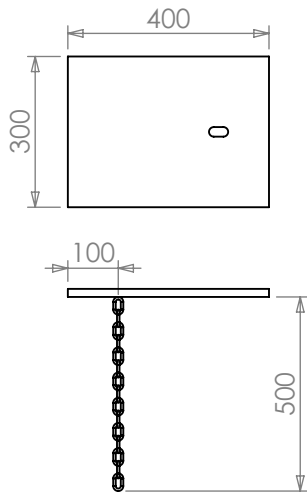
134-140 Old Bathurst Road, Emu Plains NSW 2750  
Tel: +61 2 4747 4000, Fax: +61 2 4747 4040, Website: [www.acoaus.com.au](http://www.acoaus.com.au)

All reasonable care has been taken in compiling the information in this illustration. All recommendations and suggestions on the use of ACO products are made without guarantee since the conditions of use are beyond the control of the company. It is the customer's responsibility to ensure that each product is fit for its intended purpose and that the actual conditions of use are suitable. ACO pursues a policy of continuous product development and reserves the right to amend specifications without notice.

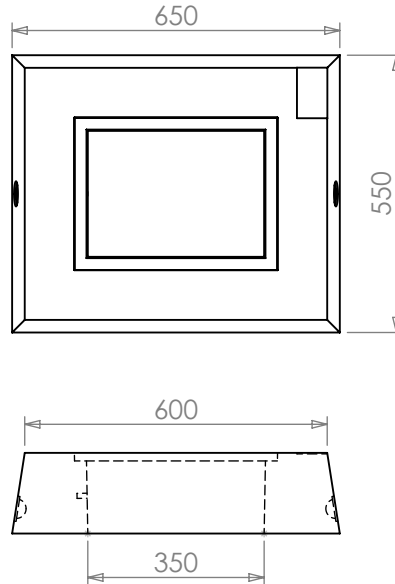
This illustration is for ACO sales purposes only. Any other use of this illustration is prohibited by ACO.

# DEEP SIT PIT WITH SHALLOW COLLAR

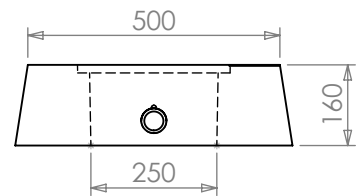
## LID WITH CHAIN



## SHALLOW SIT PIT COLLAR

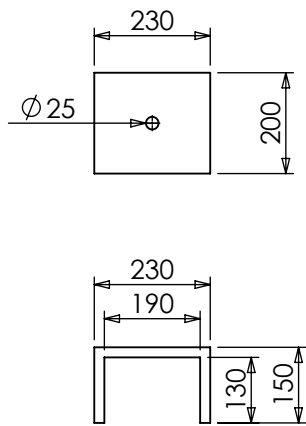


SHALLOW SIT PIT COLLAR &  
LID ASSEMBLED  
PART NUMBER: 142322

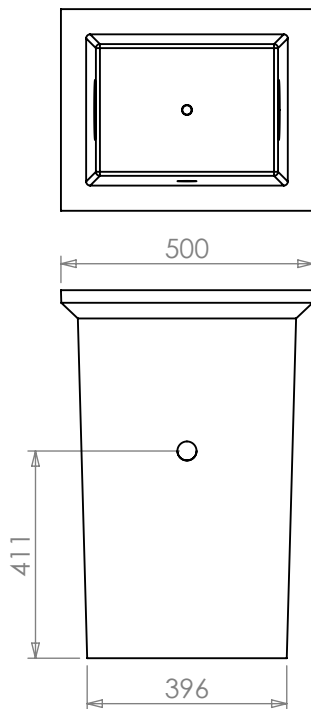


## SUPPORT STAND

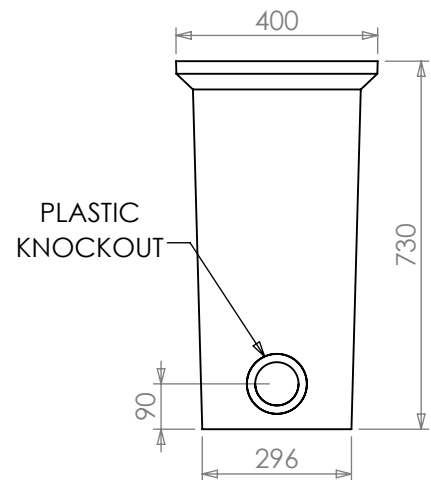
PART NUMBER: 142319



## DEEP SIT PIT



PART NUMBER: 142321



©2020 COPYRIGHT ACO PTY LTD.

# SALES ILLUSTRATION



REF. No.	20-03
REVISION:	
CHK'D	JS

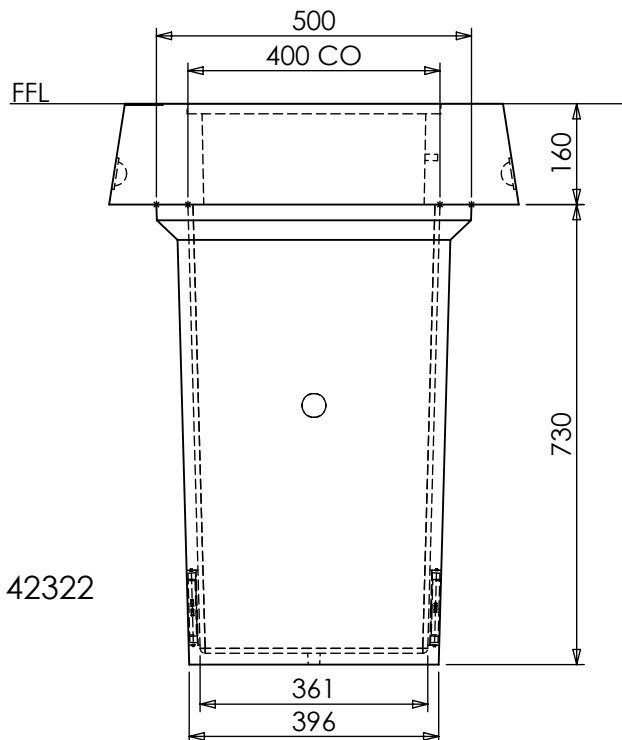
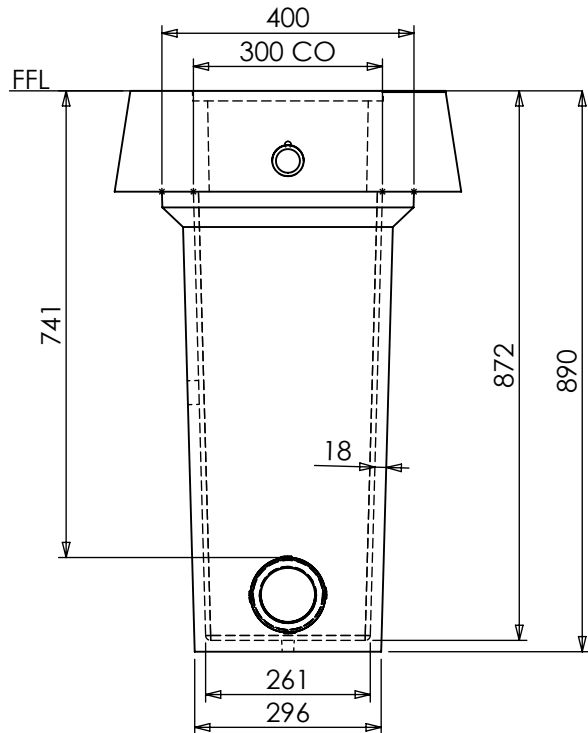
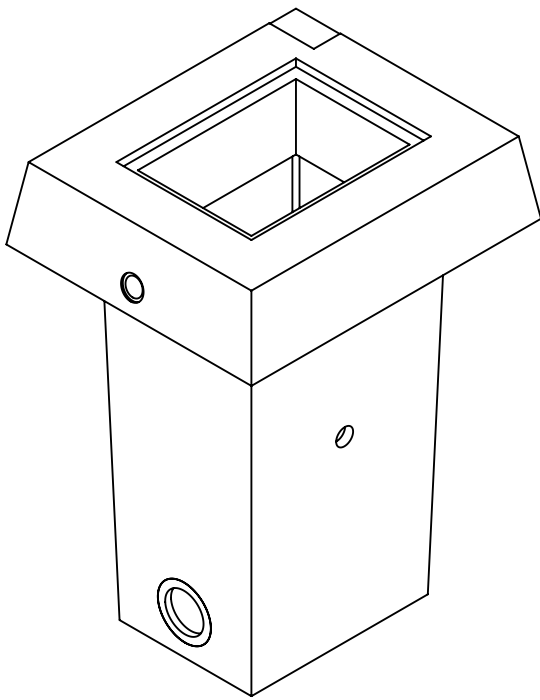
ACO Pty Ltd

134-140 Old Bathurst Road, Emu Plains NSW 2750  
Tel: +61 2 4747 4000, Fax: +61 2 4747 4040, Website: www.acoaus.com.au

All reasonable care has been taken in compiling the information in this illustration. All recommendations and suggestions on the use of ACO products are made without guarantee since the conditions of use are beyond the control of the company. It is the customer's responsibility to ensure that each product is fit for its intended purpose and that the actual conditions of use are suitable. ACO pursues a policy of continuous product development and reserves the right to amend specifications without notice.

This illustration is for ACO sales purposes only. Any other use of this illustration is prohibited by ACO.

# DEEP SIT PIT WITH SHALLOW COLLAR



ASSEMBLED PART NUMBER: **143069**

Kit includes:

- SIT Pit (730 deep) - 142321
- SIT Pit Shallow Collar & Lid Assembled - 142322
- SIT Pit Support Stand - 142319

©2020 COPYRIGHT ACO PTY LTD.

## SALES ILLUSTRATION



REF. No.  
**20-03**

REVISION:  
CHK'D

JS

**ACO Pty Ltd**

134-140 Old Bathurst Road, Emu Plains NSW 2750  
Tel: +61 2 4747 4000, Fax: +61 2 4747 4040, Website: [www.acoaus.com.au](http://www.acoaus.com.au)

All reasonable care has been taken in compiling the information in this illustration. All recommendations and suggestions on the use of ACO products are made without guarantee since the conditions of use are beyond the control of the company. It is the customer's responsibility to ensure that each product is fit for its intended purpose and that the actual conditions of use are suitable. ACO pursues a policy of continuous product development and reserves the right to amend specifications without notice.

This illustration is for ACO sales purposes only. Any other use of this illustration is prohibited by ACO.