

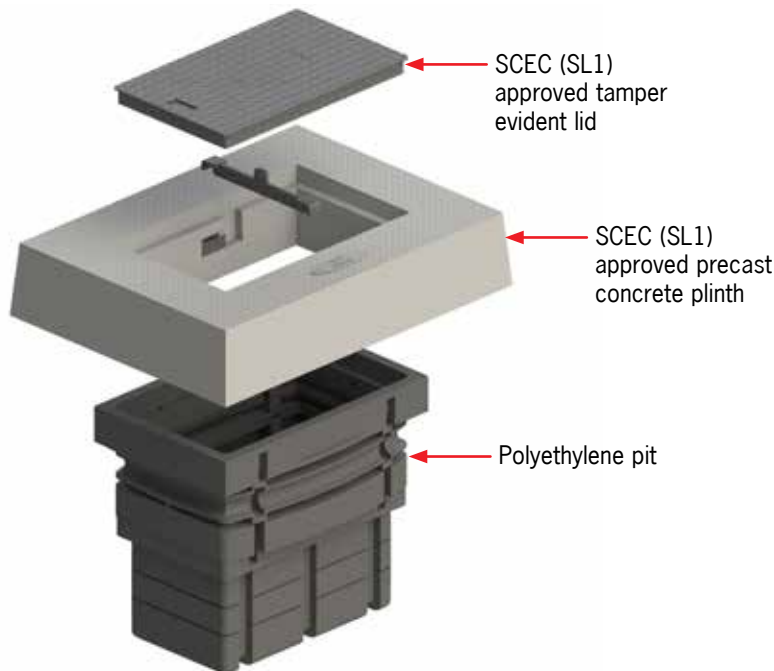


Product Data Sheet

ACO CABLEMATE

ACO PITLOK® High Security Trafficable Enclosures

SCEC Endorsed (SL1) – Plastic pit range



The Security Construction and Equipment Committee (SCEC) is an interdepartmental committee which selects security equipment to meet the physical security needs of the Australian Government.

The ACO PITLOK® range has been fully tested and assessed by security services who conduct tests on behalf of SCEC. SCEC have subsequently endorsed the lids and plinths for the 'Protection of Classified Material'. This is contingent on the use of SCEC (SL3) padlocks to secure the lids.

The plastic pit range includes:

- SCEC (SL1) approved tamper evident lids
- SCEC (SL1) approved precast reinforced concrete plinths (40MPa)
- A range of robust polyethylene pits

P5 SCEC (SL1) plastic pit enclosure shown.

Parts Table

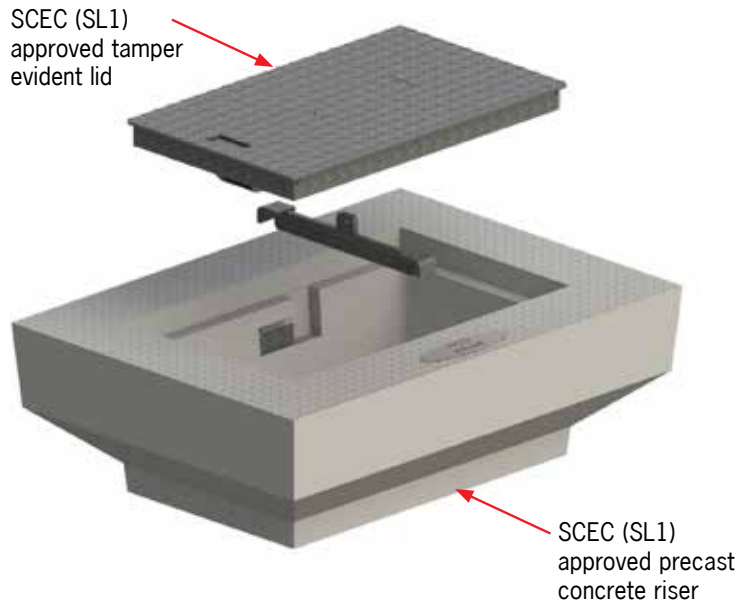
Part No.	Description	Clear Opening Dim. L x W x D (mm)	Weight (kg)	
Plastic Pits				
75957	P4 – plastic pit	605 x 300 x 745	12	
76042	P5 – plastic pit	603 x 353 x 581	10	
75475	P6 – plastic pit	1268 x 455 x 616	33	
75019	P8 – plastic pit	1268 x 455 x 836	42	
Concrete Plinths and drop in Steel Lids				
142234	PlinthP4 – ACO PITLOK® SCEC (SL1) concrete plinth	570 x 275	175	
142239	PlinthP4 – ACO PITLOK® SCEC (SL1) steel lid	To suit PlinthP4	18	17 ¹
142235	PlinthP5 – ACO PITLOK® SCEC (SL1) concrete plinth	575 x 330	195	
142240	PlinthP5 – ACO PITLOK® SCEC (SL1) steel lid	To suit PlinthP5	16	15 ¹
142236	PlinthP6/8 – ACO PITLOK® SCEC (SL1) concrete plinth	1250 x 440	325	
142241	PlinthP6/8 – ACO PITLOK® SCEC (SL1) steel lid	To suit PlinthP6/8	32	15 ¹
142366	Plinth800P – ACO PITLOK® SCEC (SL1) concrete plinth	715 x 715	355	
142367	Plinth800P – ACO PITLOK® SCEC (SL1) steel lid	To suit Plinth800P	35	17 ¹
Hinged Lid / Plinth Systems				
142238	Plinth1000HP-10 (1400 x 1400mm plinth and hinged lid)	990 x 990	500	20 ¹
142519	Plinth1000HP-15 (1760 x 1760mm plinth and hinged lid)	990 x 990	1090	20 ¹

Note: ¹Denotes heaviest individual lifting weight (kg)



ACO PITLOK® High Security Trafficable Enclosures

Plastic pit range – accessories and other ancillary products



P5 SCEC (SL1) concrete riser and steel lid shown.

To facilitate the installation of cable enclosures along a cable route and to satisfy specific user requirements, a wide range of accessories is offered.

Accessories are designed to assist with services identification, security and maintenance.

Accessories include:

- ID Plates
- Route Marker Plates
- SCEC Padlocks
- Lid Lifting Tool
- Plastic Pit Expansion Tool
- Swing Arm

ACO can also supply compatible SCEC (SL1) approved precast reinforced concrete risers (40MPa) to custom heights (see left) where deeper enclosures are required.

Parts Table

Accessories and other ancillary products		
Part No.	Description	Weight (kg)
142232	Lid Lifting Tool	0.5
142233	Plastic Pit Expansion Tool	4
On Enquiry	ID Plates	N/A
On Enquiry	Route Marker Plates	N/A
On Enquiry	SCEC (SL3) Padlocks	0.5
On Enquiry	Swing Arm	1
On Enquiry	SCEC (SL1) approved precast concrete riser	Variable





Product Data Sheet

ACO CABLEMATE

ACO PITLOK® High Security Trafficable Enclosures

SCEC Endorsed (SL1) – Concrete pit range



The Security Construction and Equipment Committee (SCEC) is an interdepartmental committee which selects security equipment to meet the physical security needs of the Australian Government.

The ACO PITLOK® range has been fully tested and assessed by security services who conduct tests on behalf of SCEC. SCEC have subsequently endorsed the lids and pits for the 'Protection of Classified Material'. This is contingent on the use of SCEC (SL3) padlocks to secure the lids.

The concrete pit range includes:

- SCEC (SL1) approved tamper evident lids
- SCEC (SL1) approved precast concrete pits (40MPa)

J8 SCEC (SL1) concrete pit enclosure shown.

Parts Table

Part No	Description	Clear Opening Dim. L x W x D (mm)	Pit Weight (kg)	Lid Weight (kg)	¹ Cover Lifting Weight (kg)
Concrete Pits with Steel Lids					
142243	J5P – ACO PITLOK® SCEC (SL1), concrete pit and steel lid - full body	600 x 340 x 780	406	19	18
142244	J5P – ACO PITLOK® SCEC (SL1), concrete pit and steel lid - split body	600 x 340 x 780	406	19	18
142245	J600P – ACO PITLOK® SCEC (SL1), concrete pit and steel lid - full body	535 x 535 x 820	473	22	21
142246	J600P – ACO PITLOK® SCEC (SL1), concrete pit and steel lid - split body	535 x 535 x 820	466	22	21
142247	J8P – ACO PITLOK® SCEC (SL1), concrete pit and steel lid - full body	1250 x 440 x 910	816	46	23
142248	J8P – ACO PITLOK® SCEC (SL1), concrete pit and steel lid - split body	1250 x 440 x 920	816	46	23
142249	J10P – ACO PITLOK® SCEC (SL1), concrete pit and steel lid - full body	1905 x 440 x 920	1113	67	23
142250	J10P – ACO PITLOK® SCEC (SL1), concrete pit and steel lid - split body	1905 x 440 x 920	1101	67	23
142251	J1000P – ACO PITLOK® SCEC (SL1) concrete pit and steel lid - full body	945 x 945 x 905	841	89	44
142252	J1000P – ACO PITLOK® SCEC (SL1) concrete pit and steel lid - split body	945 x 945 x 905	841	89	44
142237	J1000HP – ACO PITLOK® SCEC (SL1) ³ concrete pit and hinged steel lid - split body	990 x 990 x 1105	² 1419	NA	20
142521	J1500HP – ACO PITLOK® SCEC (SL1) concrete pit and hinged steel lid - split body	990 x 990 x 1380	² 3980	N/A	20

Note: ¹Denotes heaviest individual lifting weight (kg)

²Includes weight of plinth (kg)

³The endorsement applies to the Plinth1000HP-10 which extends to the underlying pit



ACO PITLOK® High Security Trafficable Enclosures

Concrete pit range – accessories and other ancillary products



J8 SCEC (SL1) concrete pit enclosure shown.

To facilitate the installation of cable enclosures along a cable route and to satisfy specific user requirements, a wide range of accessories is offered.

Accessories are designed to assist with services identification, security and maintenance.

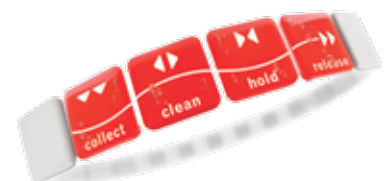
Accessories include:

- ID Plates
- Route Marker Plates
- SCEC Padlocks
- Lid Lifting Tool
- Swing Arm

ACO can also supply compatible cement concrete SCEC (SL1) approved precast reinforced concrete risers (40MPa) to custom heights (see left) where deeper enclosures are required.

Parts Table

Accessories and other ancillary products		
Part No.	Description	Weight (kg)
142232	Lid Lifting Tool	0.5
On Enquiry	ID Plates	N/A
On Enquiry	Route Marker Plates	N/A
On Enquiry	SCEC (SL3) Padlocks	0.5
On Enquiry	Swing Arm	1
On Enquiry	SCEC (SL1) approved precast concrete riser	Variable





Product Data Sheet

ACO CABLEMATE

ACO COVERCOM® High Security Trafficable Enclosures

SCEC Endorsed (SL2) – Concrete pit range

SCEC (SL2)
approved tamper
evident lid



SCEC (SL2)
approved precast
concrete pit

The Security Construction and Equipment Committee (SCEC) is an interdepartmental committee which selects security equipment to meet the physical security needs of the Australian Government.

The ACO COVERCOM® range has been fully tested and assessed by security services who conduct tests on behalf of SCEC. SCEC have subsequently endorsed the lids and pits for the 'Protection of Classified Material'. This is contingent on the use of SCEC (SL3) padlocks to secure the lids.

The concrete pit range includes:

- SCEC (SL2) approved tamper evident lids
- SCEC (SL2) approved precast reinforced concrete pits (40MPa)

J8 SCEC (SL2) concrete pit enclosure shown.

Parts Table

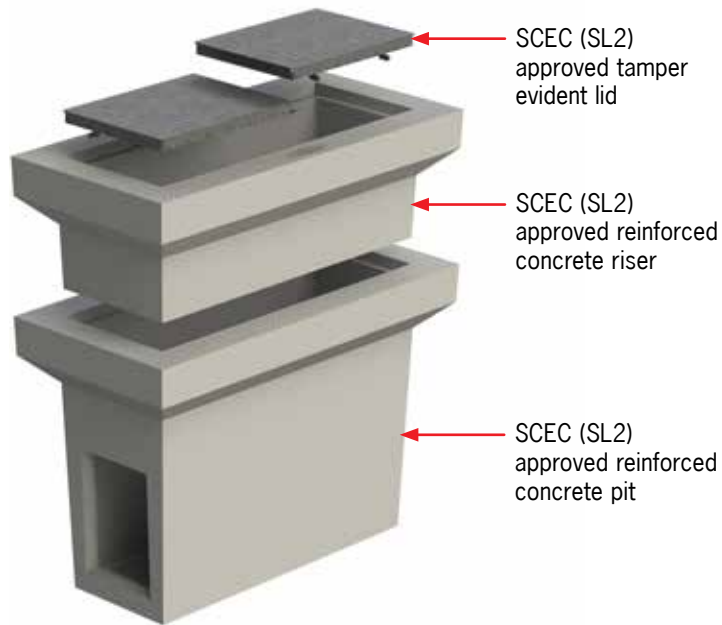
Part No.	Pit Description	Clear Opening Dim. L x W x D (mm)	Pit Weight (kg)	Lid Weight (kg)	¹ Cover Lifting Weight (kg)
Concrete Pits with Steel Lids					
142253	J5C – ACO COVERCOM® SCEC (SL2), concrete pit and steel lid - full body	600 x 340 x 880	408	17	17
142254	J5C – ACO COVERCOM® SCEC (SL2), concrete pit and steel lid - split body	600 x 340 x 880	408	17	17
142255	J600C – ACO COVERCOM® SCEC (SL2), concrete pit and steel lid - full body	550 x 550 x 750	445	25	25
142256	J600C – ACO COVERCOM® SCEC (SL2), concrete pit and steel lid - split body	550 x 550 x 750	445	25	25
142257	J8C – ACO COVERCOM® SCEC (SL2), concrete pit and steel lid - full body	1250 x 440 x 940	818	44	22
142258	J8C – ACO COVERCOM® SCEC (SL2), concrete pit and steel lid - split body	1250 x 440 x 940	818	44	22
142259	J10C – ACO COVERCOM® SCEC (SL2), concrete pit and steel lid - full body	1905 x 440 x 820	1194	66	22
142260	J10C – ACO COVERCOM® SCEC (SL2), concrete pit and steel lid - split body	1905 x 440 x 820	1194	66	22
142261	J1000C – ACO COVERCOM® SCEC (SL2), concrete pit and steel lid - full body	945 x 945 x 905	847	83	44
142262	J1000C – ACO COVERCOM® SCEC (SL2), concrete pit and steel lid - split body	945 x 945 x 905	847	83	44
Concrete Plinths with Steel Lids					
142784	Plinth1000C – ACO COVERCOM® SCEC (SL2), concrete plinth and steel lid	945 x 945	337	83	44

Note: ¹Denotes heaviest individual lifting weight (kg)



ACO COVERCOM® High Security Trafficable Enclosures

Concrete pit range – accessories and other ancillary products



J8 SCEC (SL2) concrete pit enclosure shown.

To facilitate the installation of cable enclosures along a cable route and to satisfy specific user requirements, a wide range of accessories is offered.

Accessories are designed to assist with services identification, security and maintenance.

Accessories include:

- ID Plates
- Route Marker Plates
- SCEC Padlocks
- Lid Lifting Tool
- Swing Arm

ACO can also supply compatible cement concrete SCEC (SL2) approved precast concrete risers (40MPa) to custom heights (see left) where deeper enclosures are required.

Parts Table

Accessories and other ancillary products		
Part No.	Description	Weight (kg)
142232	Lid Lifting Tool	0.5
On Enquiry	ID Plates	N/A
On Enquiry	Route Marker Plates	N/A
On Enquiry	SCEC (SL3) Padlocks	0.5
On Enquiry	Swing Arm	–
On Enquiry	SCEC (SL2) approved precast concrete riser	Variable

